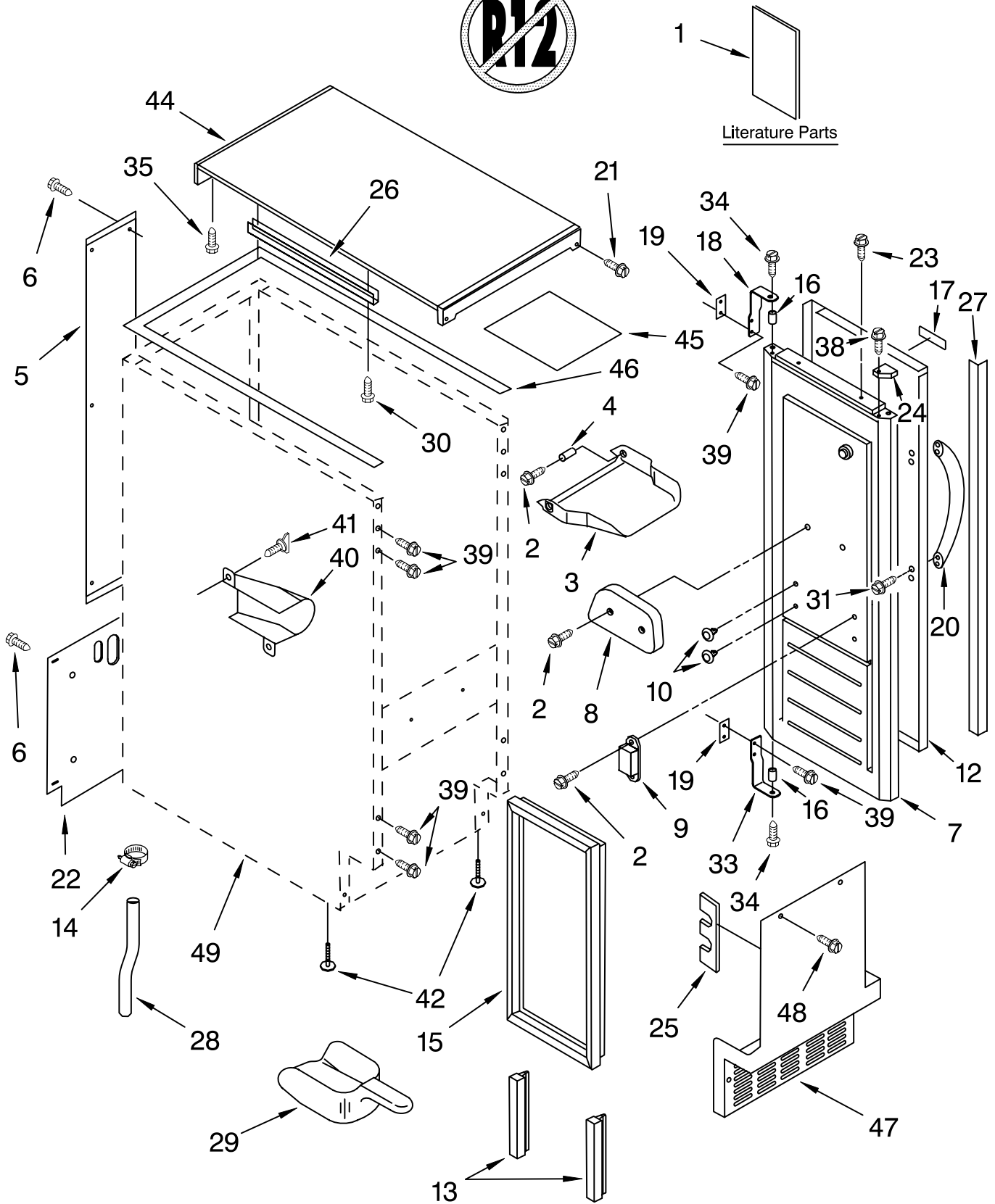


# CABINET LINER AND DOOR PARTS

For Models: KUIS155HRS2  
(STAINLESS STEEL)

ICE CUBE  
MAKER

**KitchenAid®**



FOR ORDERING INFORMATION REFER TO PARTS PRICE LIST

# CABINET LINER AND DOOR PARTS

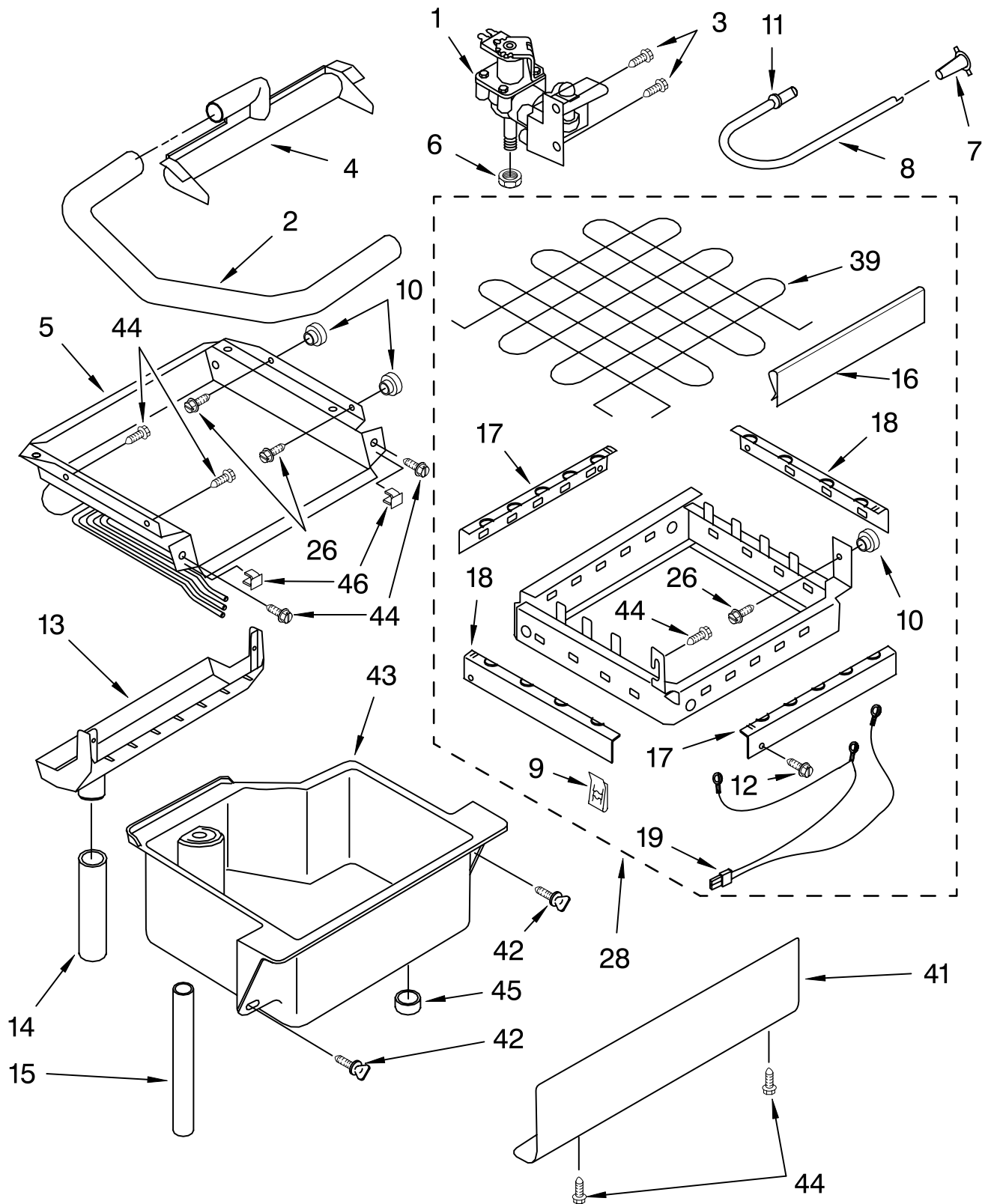
For Models: KUIS155HRS2  
(STAINLESS STEEL)

Illus. No.	Part No.	DESCRIPTION	Illus. No.	Part No.	DESCRIPTION	Illus. No.	Part No.	DESCRIPTION
1	LIT2208355 LIT2208560	Literature Parts Use & Care Guide Service & Wiring Sheet	24	2185655B 2185656B	Filler, Endcap Left Side Right Side	Parts Not Illustrated and Optional Parts (Not Included)		
2	3400886	Screw 8-18 X 1 1/4	25	2185756	Pad, Foam	8171307		Cleaner, Icemaker
3	2185742	Bin, Door	26	2185691	Channel, Wiring	503695		Sealer, Cork (1/4 Pound)
4	2185678	Spacer	27	2185964	Grommet, Edge Guard (2)	797403		Cement, Insulation (1 Oz.)
5	2185575	Cover, Wiring	28	2185989	Tube, Drain	505587		Sealer, Mastic (1 Qt.)
6	489442	Screw	29	585158	Scoop	212643		Sealer, Gum (22 Pcs. 3/16" x 7")
7	2932800B	Door	30	3400884	Screw 8-18 X 5/8	479976		Kit, Insulation (5 Pcs. 3" x 24" x 48")
8	2185695	Cam, Door	31	3400037	Screw #10-32 X 3/8	978025		Valve, Access (1/4")
9	2185991	Assembly, Magnetic Catch	33	2185711	Hinge, Bottom	978026		Valve, Access (5/16")
10	2189000	Plug, Hole	34	2185712	Pin, Hinge	978027		Valve, Access (3/8")
12	2185961	Wrap, Door	35	489048	Screw, Ground 8-32 X 1/2	978028		Valve, Access (1/2")
13	2185777	Gasket, Bottom	38	348689	Screw 8-18 X 3/4	978029		Valve, Access (5/8")
14	489503	Clamp	39	489423	Screw 10-32X11/16	978030		Valve, Access (3/4")
15	2185776	Gasket, Door	40	2185927	Holder, Scoop			
16	2185640	Sleeve, Hinge	41	681534	Thumbscrew			
17	2185968	Nameplate	42	3376439	Leg, Leveler			
18	2185710	Hinge, Top	44	2929700B	Top			
19	2185709	Shim, Hinge	45	2185690	Shield, Electrical			
20	2181223	Handle, Door	46	2185645	Gasket, Top Panel			
21		Screw 8-18 X 1/2	47	2185571B	Grill, Front			
	8281138	Front (2)	48	489474	Screw 8-18 X 1			
	3400887	Rear (2)	49		Cabinet & Liner (NOT SERVICED)			
22	2185730	Assembly, Unit Cover						
23	3400887	Screw 8-18X1/2 (4)						

FOR ORDERING INFORMATION REFER TO PARTS PRICE LIST

# EVAPORATOR, ICE CUTTER GRID AND WATER PARTS

For Models: KUIS155HRS2  
(STAINLESS STEEL)



FOR ORDERING INFORMATION REFER TO PARTS PRICE LIST

# EVAPORATOR, ICE CUTTER GRID AND WATER PARTS

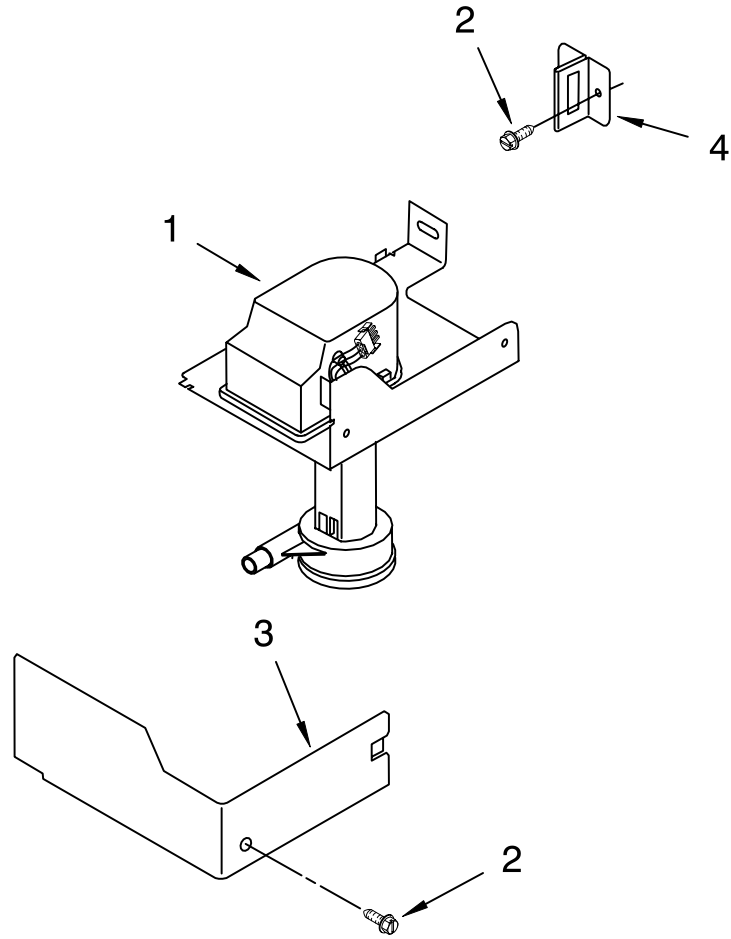
For Models: KUIS155HRS2  
(STAINLESS STEEL)

<b>Illus. No.</b>	<b>Part No.</b>	<b>DESCRIPTION</b>
1	2185758	Valve, Complete Water
2	2185669	Tube, Plastic
3	488687	Screw 8-15 X 5/8
4	2185523	Dispenser, Water
5	2208464	Evaporator
6	627018	Nut, Compression
7	841707	Insert, Tube
8	2172593	Tube, Water Fill
9	488660	Nut, Speed
10	836667	Spacer
11	2208539	Fastener, Pushnut
12	489443	Screw
13	2185625	Reservoir, Water Slide
14	2185626	Tube
15	2185673	Hose, Overflow
16	2208566	Guide-Ice, Grid
17	2185615	Bracket, Front and Rear
18	2185611	Bracket, Side Left and Right
19	2185681	Harness, Grid
26	3400886	Screw 8-18 X 1 1/4
28	2185614	Grid Assembly (Complete)
39	2174754	Wire, Grid Cutter
41	2185570	Cover, Grid
42	681534	Thumbscrew
43	2185624	Reservoir, Water
44	3400884	Screw 8-18 X 5/8
45	2185696	Cap, Drain
46	3400909	Nut, Push-In

FOR ORDERING INFORMATION REFER TO PARTS PRICE LIST

# PUMP PARTS

For Models: KUIS155HRS2  
(STAINLESS STEEL)

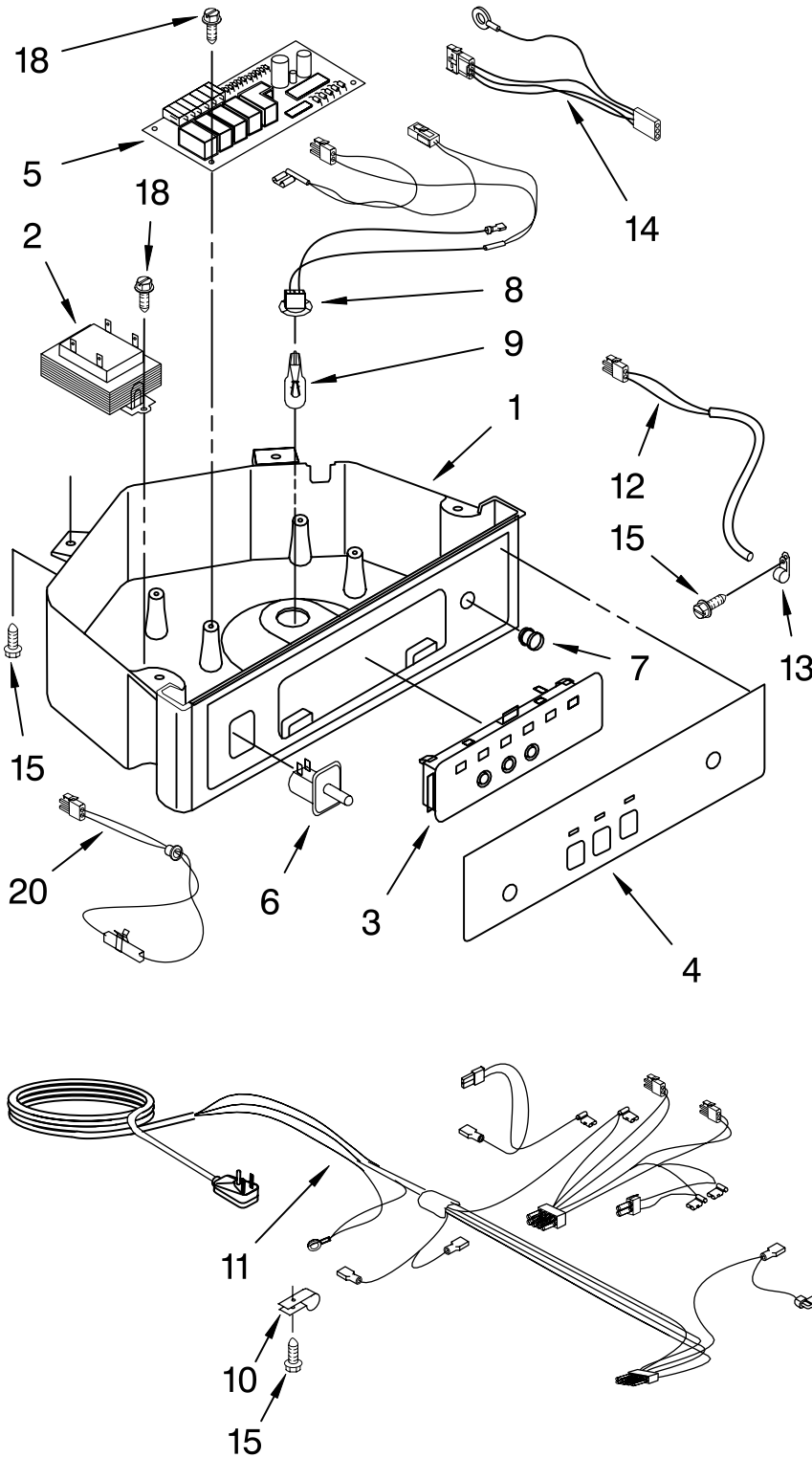


<b>Illus. No.</b>	<b>Part No.</b>	<b>DESCRIPTION</b>
1	2208482	Pump, Water (Complete)
2	3400884	Screw 8-18 X 5/8
3	2185677	Cover, Pump
4	2185585	Bracket, Connector Assembly

FOR ORDERING INFORMATION REFER TO PARTS PRICE LIST

# CONTROL PANEL PARTS

For Models: KUIS155HRS2  
(STAINLESS STEEL)

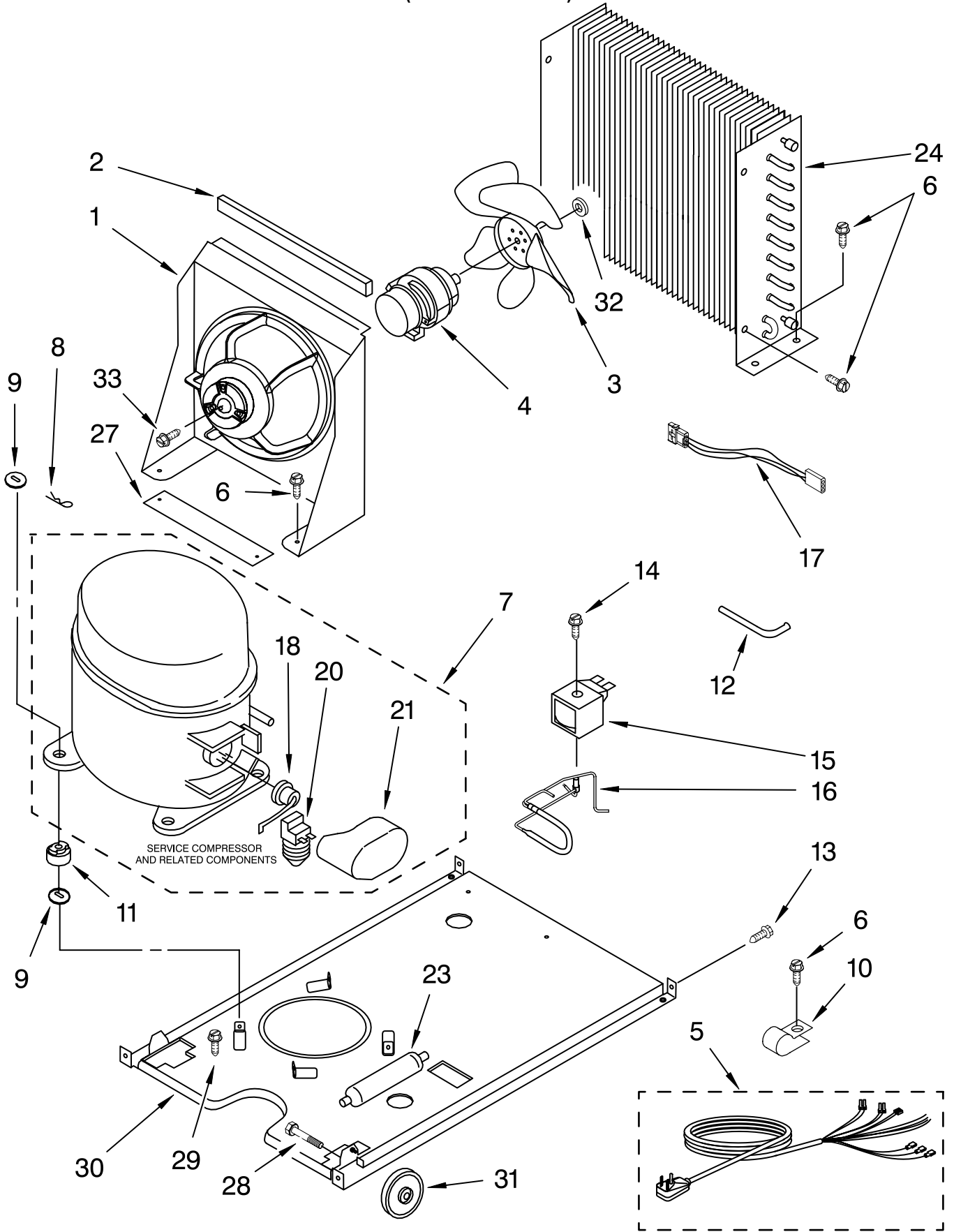


Illus. No.	Part No.	DESCRIPTION
1	2185738	Box, Control
2	2185657	Transformer
3	2185592	Assembly, Switch (ALSO ORDER #4)
4	2208317W	Overlay
5	6100499	P.C. Board
6	2149705	Switch, Plunger
7	2185694	Lens, LED
8	2185692	Wiring Harness Grid/ Light
9	745362	Bulb
10	2185788	Clamp
11	2187286	Wiring Harness, Complete Unit (Includes Power Cord)
12	2185679	Thermostat, Bin
13	2185825	Clamp
14	2185703	Wiring Harness, Main to Pump,
15	3400884	Screw 8-18 X 5/8
18	3400850	Screw 8-16 X 3/8
20	2185680	Thermister, Ice Control

FOR ORDERING INFORMATION REFER TO PARTS PRICE LIST

# UNIT PARTS

For Models: KUIS155HRS2  
(STAINLESS STEEL)



FOR ORDERING INFORMATION REFER TO PARTS PRICE LIST

# UNIT PARTS

For Models: KUIS155HRS2  
(STAINLESS STEEL)

<b>Illus. No.</b>	<b>Part No.</b>	<b>DESCRIPTION</b>
1	2185532	Bracket, Fan Mtg.
2	2185675	Pad, Foam
3	2190685	Blade, Fan
4	2183437	Motor, Fan
5		Wiring Harness, Complete Unit (See #11 On Control Panel Parts Page)
6	304392	Screw 8-18 X 1/2
7	2176659	Compressor
8	A201435	Clip, Mounting
9	A201441	Shim (8)
10	2185960	Clamp (Power Cord)
11	2185965	Grommet (4)
12	2185548	Tube, Process
13	489423	Screw
14	489472	Screw
15	759112	Coil, Solenoid
16	2208467	Valve, Body
17	2187267	Wiring Harness, Condenser Fan
18	2183404	Overload
20	2183410	Relay, Start
21	2162358	Cover, Terminal
23	2209223	Drier
24	2185529	Condenser
27	2185858	Pad, Foam (2)
28	3370389	Screw 10-32X15/16
29	488500	Screw, Ground 8-32 X 3/8
30	2185511	Base, Unit
31	302819	Wheel
32	486692	Nut, Speed
33	489494	Screw 8-32 X 3/4

## REFRIGERANT CHARGE

6.5 OZ. (R134A)

